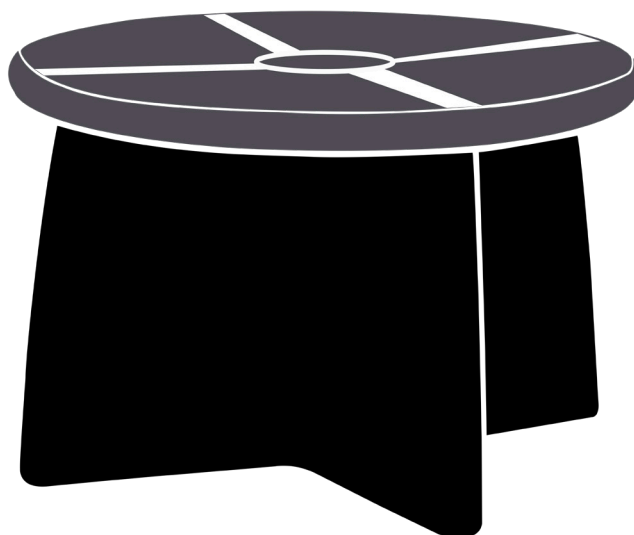


RYNO[®] DINING TABLE → TOP ASSEMBLY



Please read all instructions carefully before attempting to assemble this product. If you have any queries or concerns, please contact your Pineapple representative for further advice

REQUIRED ITEMS

- 8 x M10x30 security screws
- 8 x M10x60 TX security button head bolts
- 8 x M10x30 washer
- 8 x M10 T-nut
- 16 x 4x40mm security screws
- 1 x handheld power drill
- 2 x drill bits (TT20 & TT45)
- 1 x drill bit holder
- 1 x A70 studlock (thread lock)
- Pliers
- Hammer
- Strong adhesive
- Mastic gun



+44 (0)1622 237830

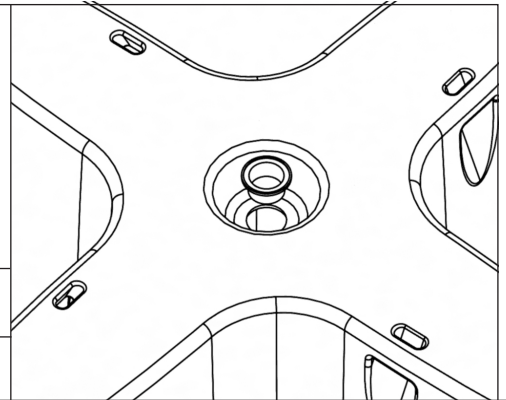
sales@pineapplecontracts.com

Pineapple

RYNO[®] DINING TABLE → TOP ASSEMBLY

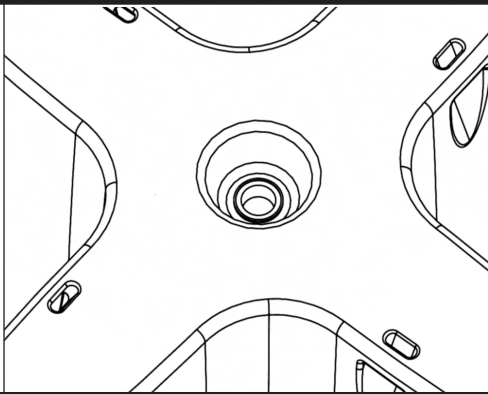
01

Unpack the base and remove the central bung using pliers (do not throw away)



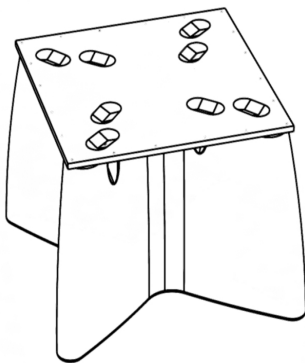
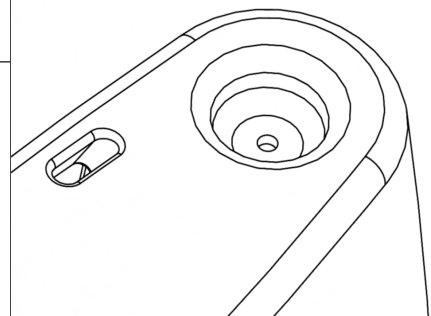
02

If adding additional weight, pour the required weight of kiln dried sand into the bung hole, replacing bung and seal with strong adhesive



03

In addition also seal the four openings on each corner of the base



Remove centre section from table top and place centre section on top of table base ensuring that it is evenly aligned

04



+44 (0)1622 237830

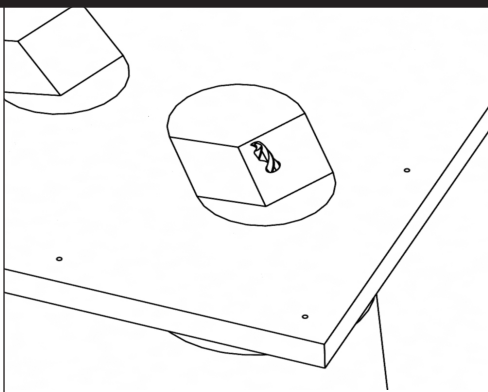
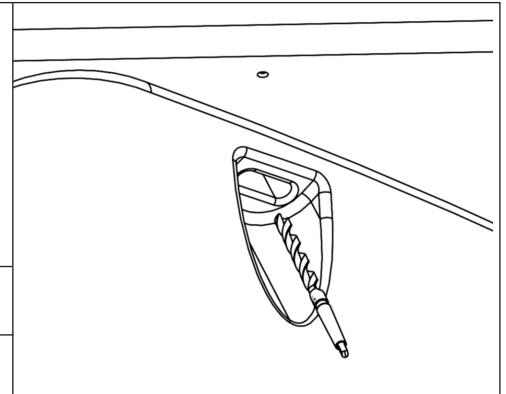
sales@pineapplecontracts.com

Pineapple

RYNO[®] DINING TABLE → TOP ASSEMBLY

05

Holding the table top firmly in place, from the underside of the table locate the openings for the fixing bolts and drill through the four corner openings using the 13mm drill bit

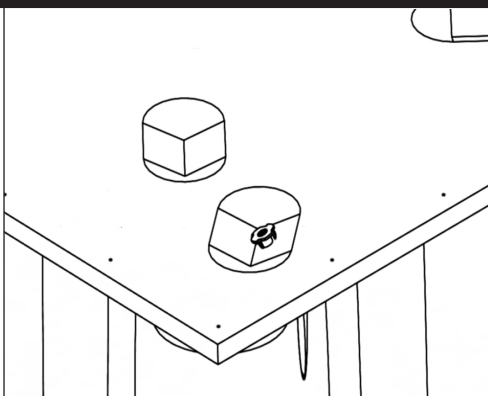
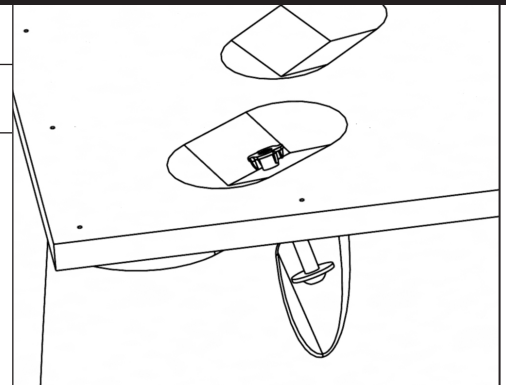


The drill should pierce the centre section, in the location and at the angle, as shown in the image

06

07

Take a bolt and washer and feed it up through the opening on the underside of the table and attach a T-nut to secure the top to the base



Hammer the T-nuts into place

08



+44 (0)1622 237830



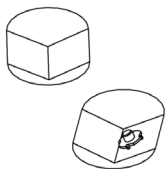
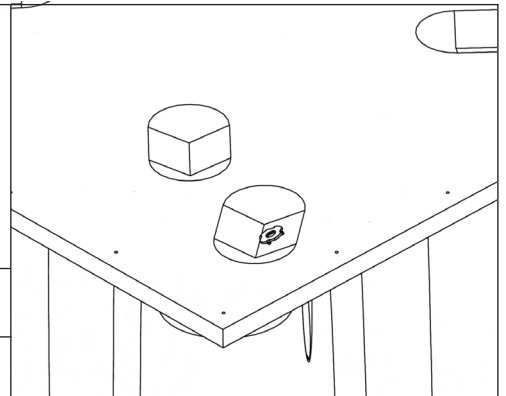
sales@pineapplecontracts.com

Pineapple

RYNO[®] DINING TABLE → TOP ASSEMBLY

09

Once the centre section is aligned to the base section, tighten down the four bolts and repeat the process of drilling and fixing bolts in the remaining four positions. The two sections should now be firmly attached to each other

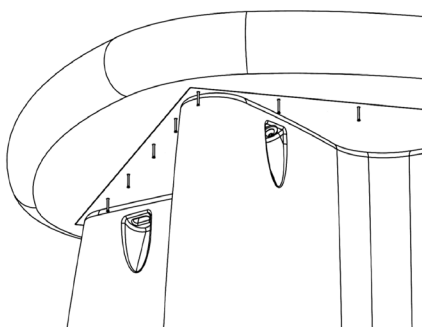
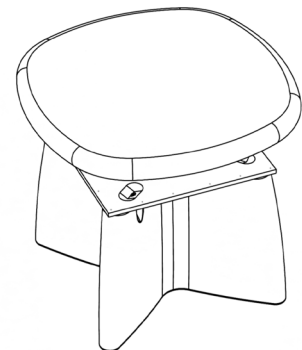


Apply A70 studlock to each of the bolt shafts

10

11

The table top has a square recess on the underside that should fit snugly over the centre section. **DO NOT ATTEMPT A ONE-PERSON LIFT. THIS COULD CAUSE PERSONAL INJURY OR DAMAGE TO TABLE TOP**



On the underside screw in the 16x 4x40mm security screws to fix the top to the base section

12

T
E

+44 (0)1622 237830

sales@pineapplecontracts.com

Pineapple

DISCLAIMER

	<ul style="list-style-type: none">→ Ensure the proper and adequate hardware is used to secure furniture→ Ensure fastenings are appropriate for the anchoring material→ Use fastenings of an appropriate strength and consider using security fixings in challenging environments→ Consider using high strength thread-locker on fastenings in challenging environments→ Ensure all gaps are sealed with the appropriate anti-pick mastic after product installation if necessary→ Please read all instructions carefully to ensure proper installation. Failure to read and follow instructions may result inadequate product installation and void of warranty→ Pineapple shall not be held liable for any consequences caused by the improper installation of products to the installer or the end user



+44 (0)1622 237830

sales@pineapplecontracts.com